

Security Expert and KONE Elevator Systems



Security Expert is not limited to just controlling access through doors. Many buildings have elevators that also require access to individual floors to be controlled. Integrating Security Expert with a KONE elevator system provides a complete multi-floor access control solution, increases building security, and improves the flow of people within the building.

Key Advantages

- Effectively manages tenant and visitor access throughout your building
- Significantly reduces installation and running costs
- Provides an accurate, searchable audit trail of the floors a user has accessed
- Reduces tedious data entry and administration time as you no longer need to manage and update two separate user databases
- No disruptions to the end user experience

High Level Integration

High level integration significantly reduces your overall installation and running costs. Without the need to wire relays and inputs between the two systems, the need for additional hardware is minimal.

Most modern elevator systems provide a destination based dispatch solution where a passenger presents their card to a display panel inside or outside the elevator and selects their desired destination floor. Security Expert verifies that the cardholder has the required permissions to access the floor (through access levels, schedules, or area status) and grants or denies the request.

When a cardholder's request is verified, the elevator system directs them to the elevator that will provide them with the shortest travel time to the floor.

By grouping all passengers to specific elevators, the number of floor stops for each passenger is minimized and overall congestion is reduced, especially during peak traffic.

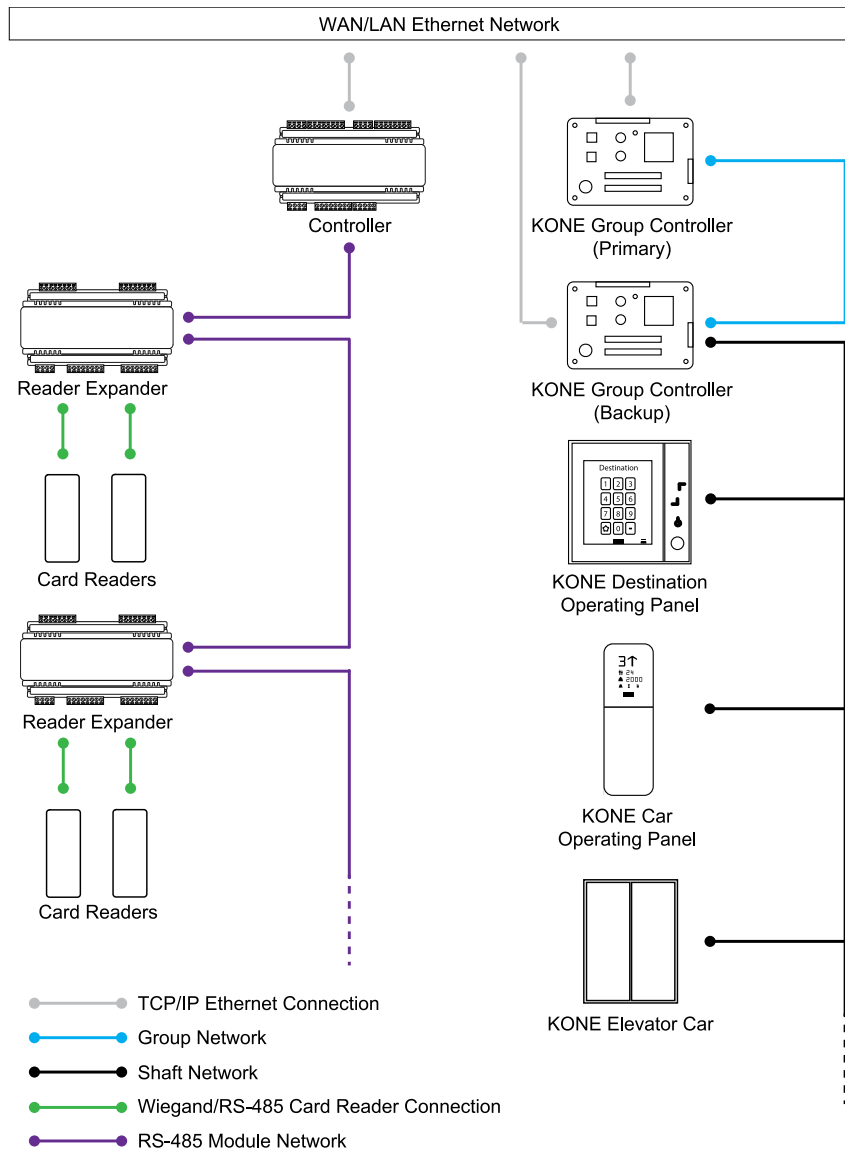
Supported Features

- **Destination control:** Access to floors is determined by the access levels within Security Expert. Access can also be controlled by the operating schedule assigned to a floor and the armed status of an area located within the floor.
- **Event logging:** All elevator access events are logged within Security Expert, providing a full audit trail.
- **Destination dispatch:** The elevator system groups passengers together based on the floor they are traveling to, reducing the number of stops required and improving the flow of traffic.
- **Override access:** Use Security Expert to manually override the state of a floor to restrict or grant access outside of the programmed schedule (such as allowing access for a courier).
- **Hardware:** Schneider Electric card readers are used to facilitate access control and can be located within an elevator car or connected to a KONE landing keypad or touchscreen.
- **Rear elevator access:** Access for rear elevator doors is configured independently of front facing elevator doors.
- **Communication:** The Security Expert server communicates with the KONE system using TCP/IP.

How it Works

The KONE elevator system provides the elevator controllers, control panels and space for installing the Security Expert card readers. Security Expert is then used to control access to the floors within the building and the elevator cars used to travel within it.

When a user scans their access card at a Security Expert reader located next to a KONE DOP (Destination Operator Panel) or COP (Car Operating Panel), a request is sent to Security Expert to verify that the user has permission to access the selected floor. Once the user's access has been verified, the KONE elevator system is able to automatically call an elevator to transport the user to the selected floor, quickly and efficiently.



Licensing

This integration requires a Security Expert Kone Elevator HLI license (applied to the Security Expert server).

Order code: SX-ELV-HLI-KN